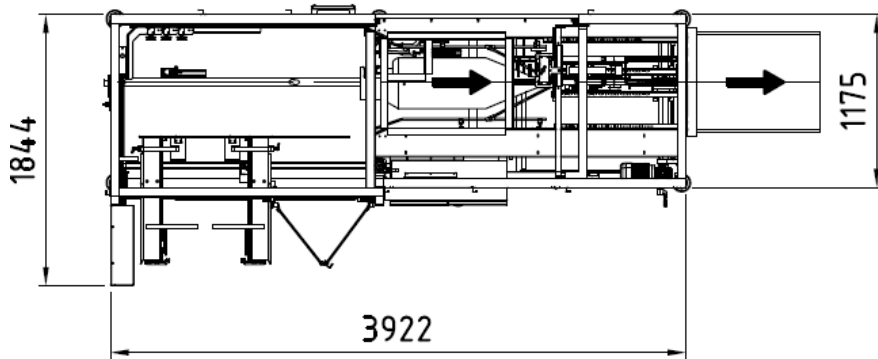
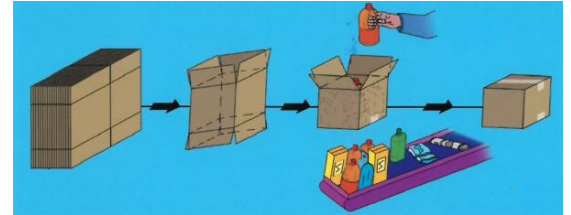




LAYOUT



SELECTION OF PACKAGING VARIATIONS



DESCRIPTION

This is a vertical case packer with manual product feeding system. It is equipped with a special space for storing empty carton-boxes. Cartonella -SA automatically opens and closes the carton-boxes. It is a saving-space machine that can be used to package different types of products.

TECHNICAL SPECIFICATIONS

Case dimensions		Min	Max
Width	mm	230	600
Length		250	800
Height		250	600
Case Thickness		4	7
Mechanical Speed	Up to 5 cases/min (It depends from the operator speed in loading the machine)		

MATCHABLE UNITS/OPTIONALS

Case format	<input type="checkbox"/>	Remote connection module	<input type="checkbox"/>
-------------	--------------------------	--------------------------	--------------------------