



DESCRIPTION

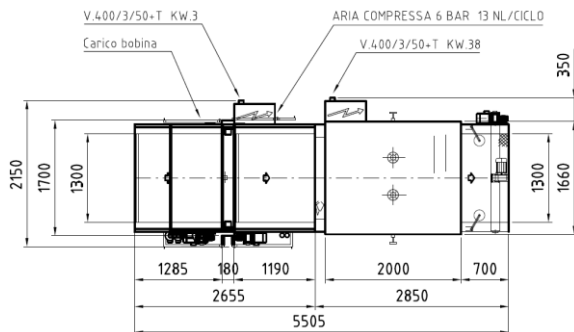
These are automatic two reels shrink-wrapping machines for packing a wide variety of big industrial products. They are highly flexible machines suitable for product collections and their protection during the transport. These machines are integrated with a shrink tunnel whose model depends on the selected machine.

| H130 -A | | | H150 -A | | | H200 -A | | | H250 -A | | |
|--------------------------|--------------------|----------|--------------------------|--------------------|----------|--------------------------|-------------------|----------|--------------------------|-------------------|----------|
| TECHNICAL SPECIFICATIONS | | | TECHNICAL SPECIFICATIONS | | | TECHNICAL SPECIFICATIONS | | | TECHNICAL SPECIFICATIONS | | |
| Product Dimensions | Min | Max | Product Dimensions | Min | Max | Product Dimensions | Min | Max | Product Dimensions | Min | Max |
| Width | | 100 1100 | Width | | 100 1300 | Width | | 100 1500 | Width | | 200 2100 |
| Length | mm | 300 1200 | Length | mm | 400 1400 | Length | mm | 400 1900 | Length | mm | 400 2400 |
| Height | | 50 400 | Height | | 50 400 | Height | | 50 620 | Height | | 50 500 |
| Mechanical Speed | Up to 10 packs/min | | Mechanical Speed | Up to 10 packs/min | | Mechanical Speed | Up to 8 packs/min | | Mechanical Speed | Up to 8 packs/min | |

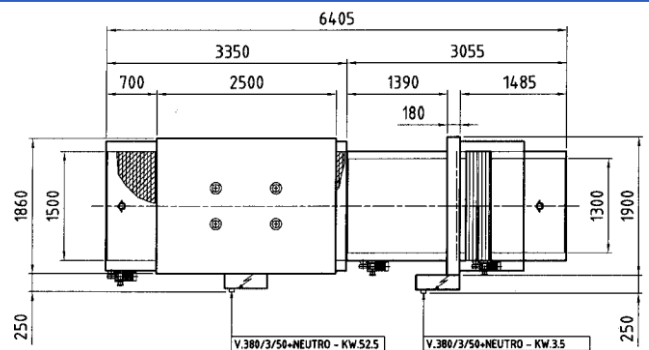
OTHER TECHNICAL SPECIFICATIONS

| | |
|------------------------|--|
| Wrapping material | Polyethylene (P.E) with a film thickness of 30-90 micron |
| Final packaging result | Full-closed or bull-eye closed pack depending on the pack and film reel (shrink-wrapped) |

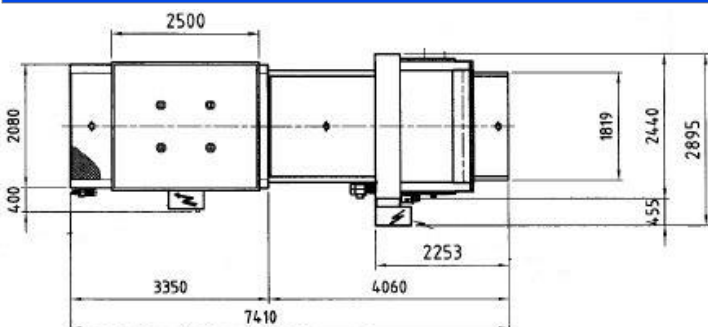
H130 -A



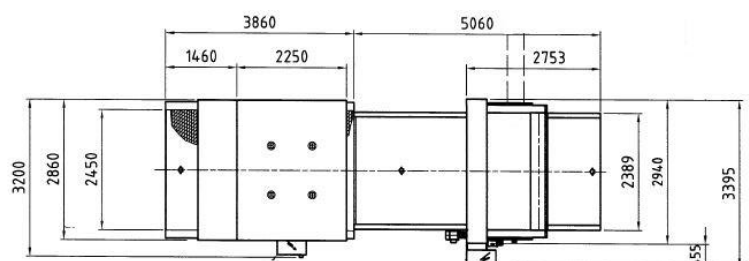
H150 -A



H200 -A



H250 -A





MATCHABLE UNITS/OPTIONALS

| | H120 -A | H150 -A | H200 -A | H250 -A |
|---|--------------------------|--------------------------|--------------------------|--------------------------|
| Second motorized coil group | n.a. | <input type="checkbox"/> | <input type="checkbox"/> | <input type="checkbox"/> |
| Elongation of loading conveyor, each meter | <input type="checkbox"/> | <input type="checkbox"/> | <input type="checkbox"/> | <input type="checkbox"/> |
| Elongation of parking conveyor between welgin group and tunnel each meter | <input type="checkbox"/> | <input type="checkbox"/> | <input type="checkbox"/> | <input type="checkbox"/> |
| Optical barrier for products for empty space and relative texting | <input type="checkbox"/> | <input type="checkbox"/> | <input type="checkbox"/> | <input type="checkbox"/> |
| Lateral foam rollers to the exit of tunnel to press the sides of the film | <input type="checkbox"/> | <input type="checkbox"/> | <input type="checkbox"/> | <input type="checkbox"/> |
| Air Fan Unit | <input type="checkbox"/> | <input type="checkbox"/> | <input type="checkbox"/> | <input type="checkbox"/> |
| Remote connection module | <input type="checkbox"/> | <input type="checkbox"/> | <input type="checkbox"/> | <input type="checkbox"/> |

SELECTION OF PACKAGING VARIATIONS

