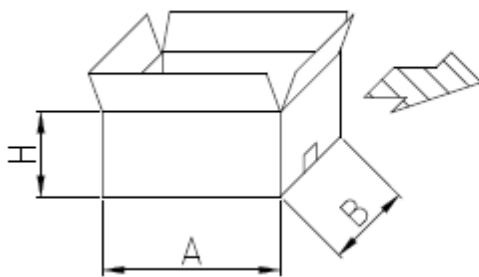


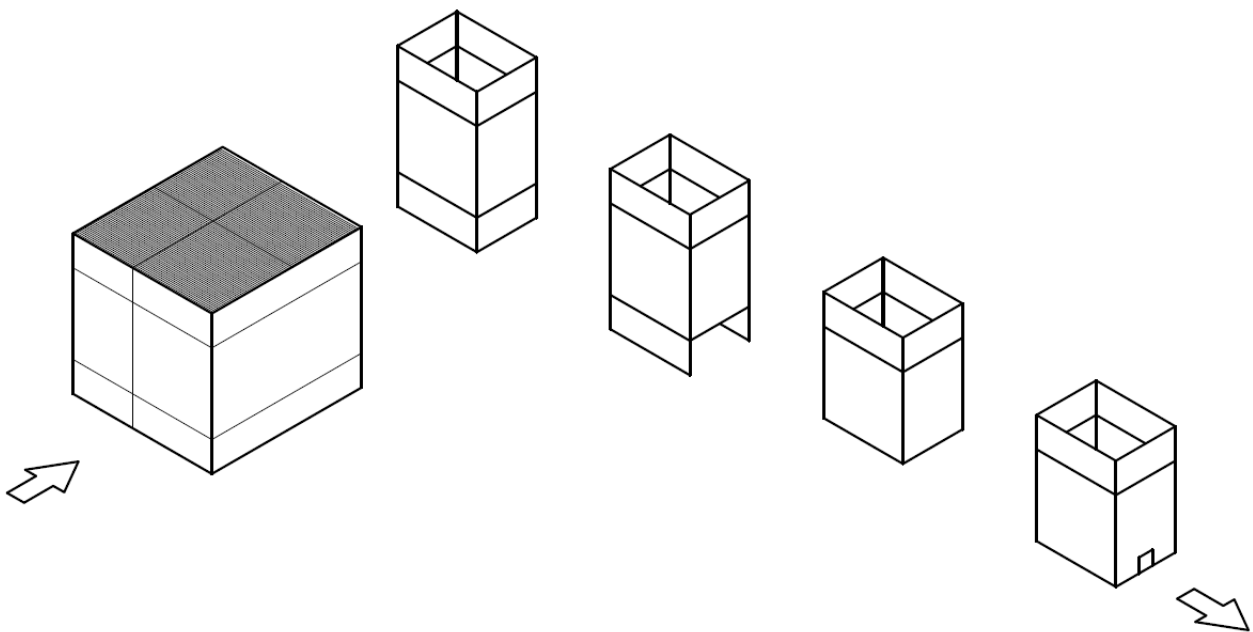
CASERECTOR INOX - DATASHEET

MINIMUM AND MAXIMUM FORMATS:



A	200-600 mm
B	150-500 mm
H	150-500 mm

OPERATIONAL FLOW:



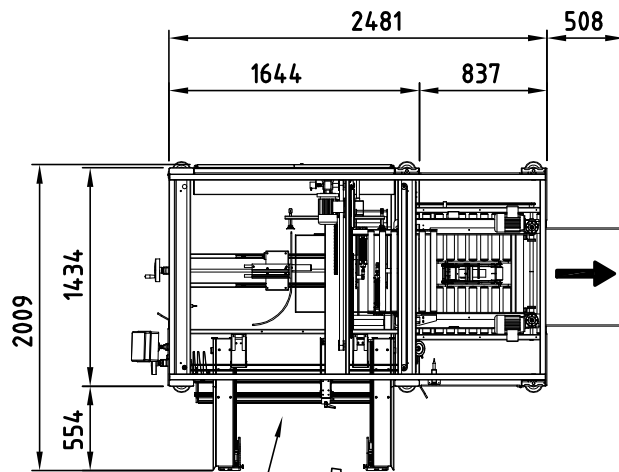
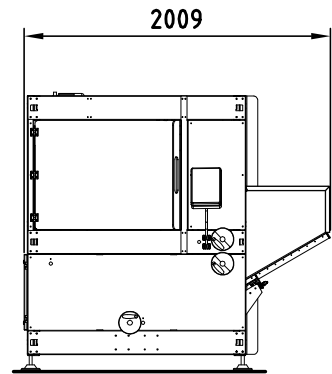
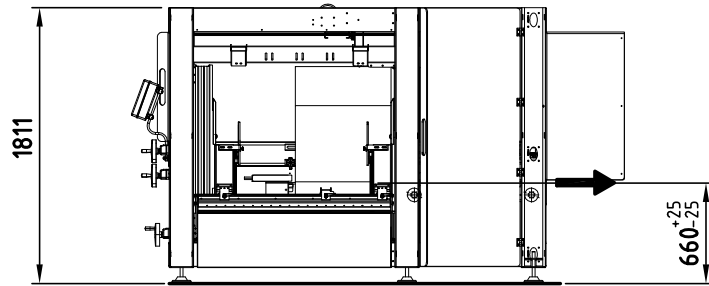


Workable material: carton with a thickness of 3-5mm

Final result: american carton or display carton formed and closed at the bottom with tape.

Speed: 8/10 cartons per minute according to the type and dimensions of the carton

The speeds indicated are strictly related to the technical and qualitative characteristics of the cardboard such as pre-cuts, display sides, single or double wave, quality of the creasing and dimensions of the cardboard itself. The design speeds will be confirmed for each format produced by the MacDue technical department after checking the complete list of formats and the necessary samples.



CARICO CARTONI VUOTI
CARTON LOAD



MAC S.R.L. DUE	DOCUMENTO RISERVATO A TERMINI DI LEGGE CON DIVIETO DI RIPRODUZIONE QUOTE ESPRESSE IN: mm. NON IMPEGNATIVE	SOSTITUITO DAL	SOSTITUISCE IL
	CLIENTE		
SCALA 1:25	TIPO MACCHINA	FORMATRICE SCATOLE A NASTRO	
DATA 22/02/2021	IMPIANTO	N. DIS.	IM5932
DISEGN. M.F.			